

Fig. 9

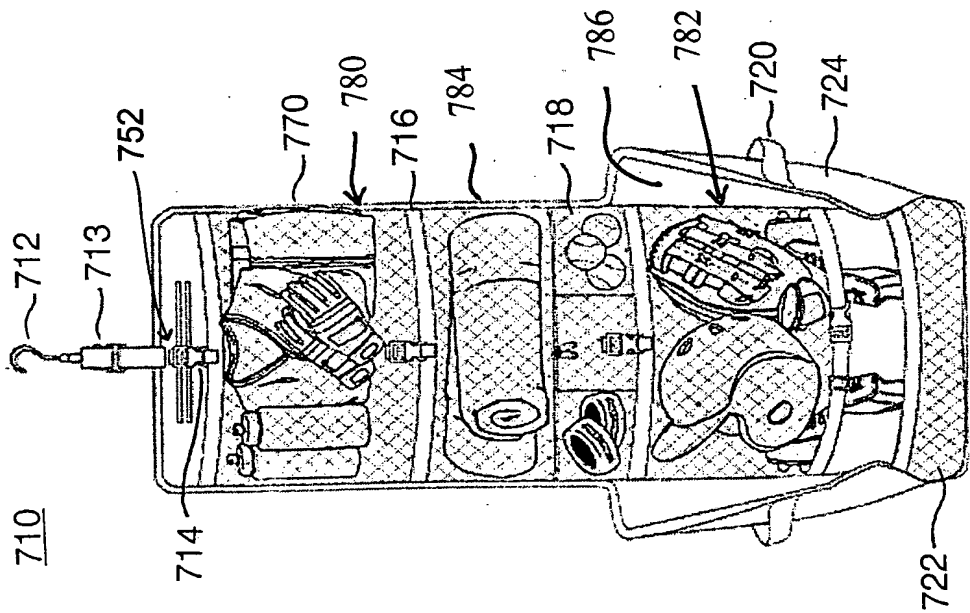


Fig. 8

O I P F
MAR 3 1 2003
PATENT & TRADEMARK OFFICE

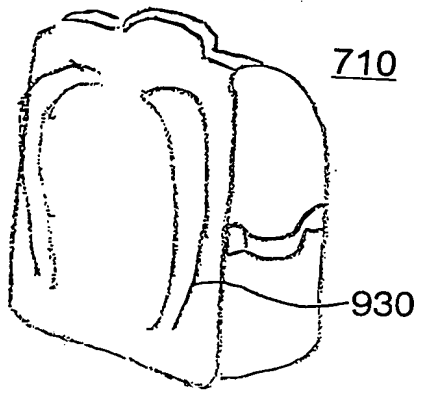


Fig. 20

OIPF
MAR 31 2003
PATENT & TRADEMARK OFFICE

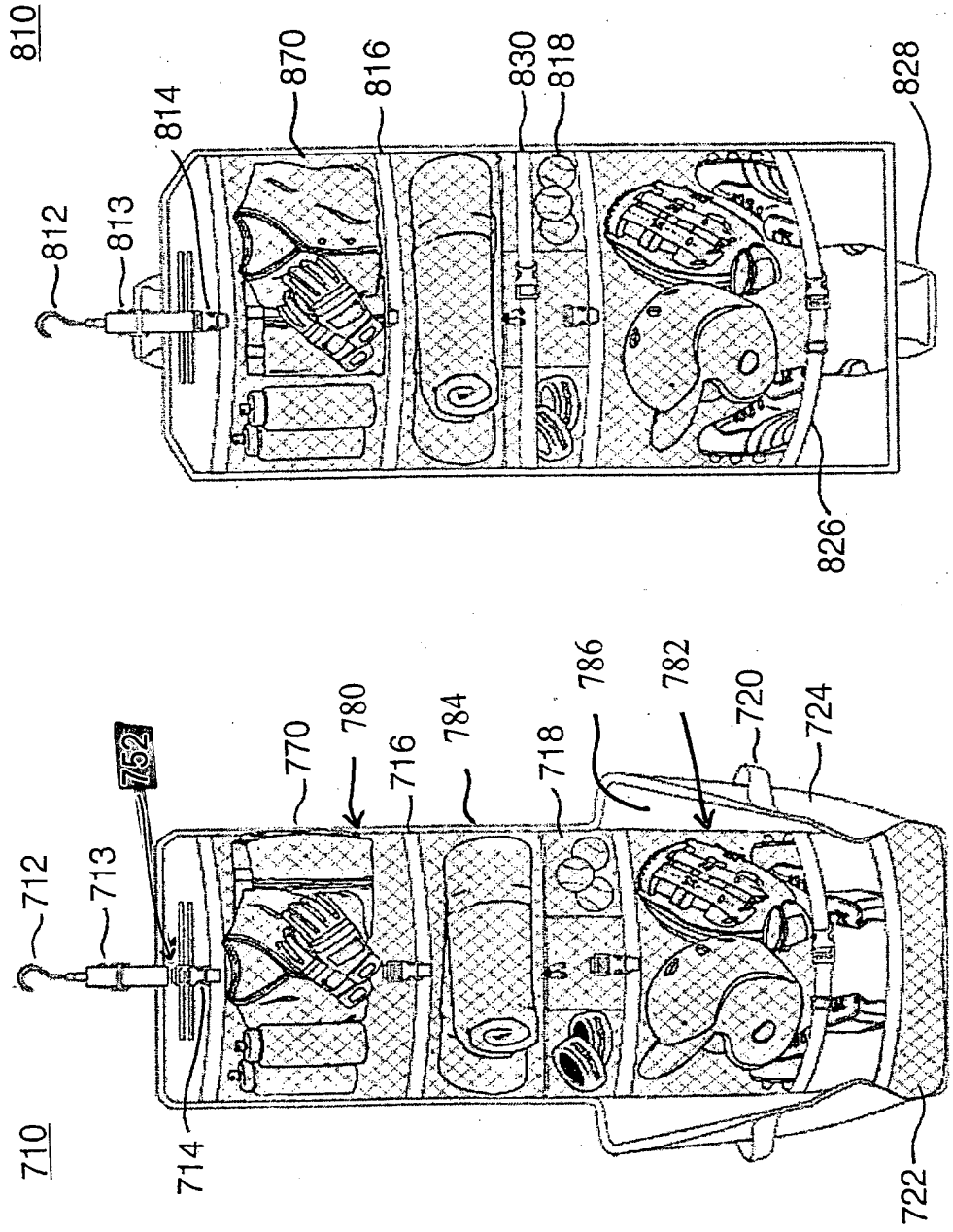


Fig. 8

Fig. 9